

CP-AW251NM

ULTIMATE

究極 SHORT THROW



ULTIMATE SHORT THROW WXGA LCD PROJECTOR

The perfect balance of technology and design. The light weight and compact CP-AW251NM Ultimate Short Throw projector offers the highest quality images with a compelling design and low cost of ownership. The compact and lightweight chassis makes the CP-AW251NM easy to install and flexible to use. With the bundled wall mount and optional table top kit you can project onto any existing whiteboard, wall or table top.

Performance

- WXGA resolution (1280 x 800)
- 80" (2m) image from only 53cm*
- 2500 ANSI Lumens (Normal Mode)
- Full connectivity including HDMI
- Perfect Fit – adjust all four corners and sides of the image individually to achieve a square image
- Input Source Naming
- Table top mount facility
- My Button
- 10W speaker
- Anti theft features including:
 - PIN-Lock
 - MyScreen Lock
 - Transition Detector
 - Security bar

Cost of ownership

- Extended Hybrid Filter life – 5000 hour cleaning cycle
- Extended lamp life – 5000 hours in Eco Mode
- Virtually maintenance free
- Easy setup and installation
- Wall mount included in the box

Advanced Network Features

- Full connectivity including 1 x RJ-45
- Configure and control projector via network with a web browser
- Projector management via SNMP
- Content via LAN
- AMX Device Discovery
- Messenger
- PJ Link™
- Network Bridge

Environment



- The extended Hybrid Filter life means reduced electronic waste and reduced maintenance visits, resulting in an overall reduction in carbon footprint

Hitachi have formulated an "Environmental Vision" to contribute towards building a sustainable society through business and product development.

Our goal is to develop life-enhancing technology that will contribute to and realise a truly sustainable society for current and future generations.



*from centre of mirror to screen



www.hitachidigitalmedia.com

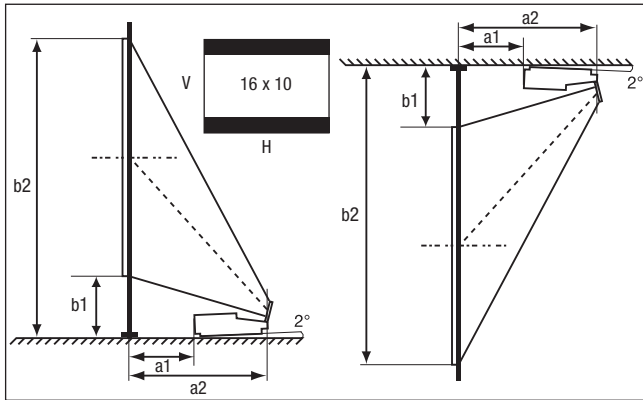
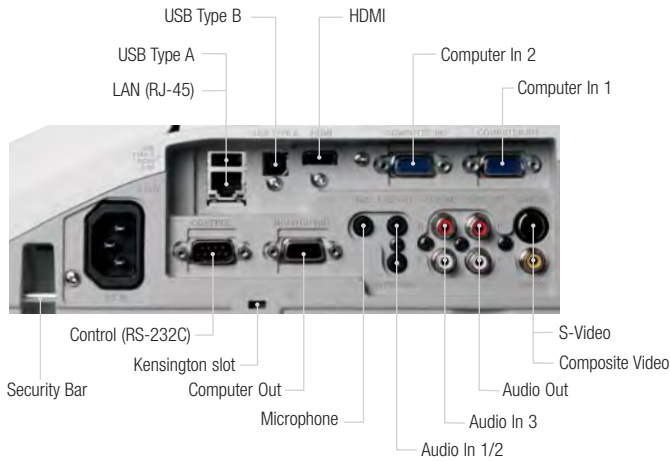
HITACHI
Inspire the Next

CP-AW251NM Technical specifications



Wall mount

Table mount (optional)



Throw distance (from the top of the lens)

Screen size (diagonal)	H x V		a1	a2	b1	b2
	(m)	(m)				
60" (1.5m)	1.3	0.8	0.120	0.396	0.295	1.102
70" (1.8m)	1.5	0.9	0.188	0.464	0.332	1.274
80" (2.0m)	1.7	1.1	0.256	0.532	0.369	1.446
90" (2.3m)	1.9	1.2	0.324	0.601	0.407	1.618
100" (2.5m)	2.2	1.3	0.392	0.669	0.444	1.791

OPTICAL

LCD Panel		0.59" (1.5cm) P-Si TFT x3
Resolution		WXGA (1280 x 800)
Brightness	Normal Mode	2500 ANSI Lumens
	Eco Mode	1700 ANSI Lumens
Colour light output		2500 ANSI Lumens
Contrast Ratio		2000:1
Lens		Free shaped lens and motorised free shaped mirror
Lamp Wattage		210W (UHP)
Lamp Life		3000 Hours (Normal Mode)/5000 Hours (Eco Mode)*
Distance to Width Ratio (:1)		0.3:1 (fixed)
Diagonal Display Size		60~100" (152~254cm)
Number of Colour		8 Bit/colour, 16.7M colours
Keystone		Fixed, 5.2:-1 upward shift

COMPATIBILITY

Computer Compatibility	IBM Compatible VGA, SVGA, XGA, WXGA, WXGA+, SXGA, WSXGA+, UXGA, MAC 16"
Video Compatibility	NTSC/PAL/SECAM/PAL-M/PAL-N/NTSC4.43 SDTV: 525i(480i), 525p(480p), 625i(576i) HDTV: 720p (720p@60Hz), 1125i(1080i@50/60Hz), 1125p(1080p@50/60Hz) DCC2B
Plug & Play	

FEATURES

Speakers	10W Mono
Basic functions	Freeze, Magnifying, Blank, Auto adjustment, Search
Picture adjustments	Equalizing Gamma Correction, 2-3 pull down, Progressive Scan, Noise Reduction, Perfect Fit
Digital keystone	Manual Vertical Keystone correction, Manual Horizontal Keystone correction
Advanced features	PC-less Drawing Function (optional wireless tablet required), MyScreen, My Memory, My Button by remote control, Blackboard/Whiteboard mode, Daytime Mode, Input source naming (English), Resolution setting, Template, Saving mode, AudioPass through, My Text
Outward	Easy Lamp replace from Top, Rear intake air filter
Power on & off	Quick ON, Direct ON, Direct Off
Security systems	PIN-Lock, MyScreen PIN-Lock, Keypad Lock, Kensington slot, Transition Detector, Security bar
Network	Configure and control projector via web browser, receive alerts via e-mail, projector management via SNMP, Scheduling, My Image, displaying text data transferred via the network, Command Control via network, AMX Device Discovery, Messenger, PJ Link™, Network Bridge, content via LAN, MAC address displayed on the side
OSD Languages	English, French, German, Spanish, Italian, Norwegian, Dutch, Korean, Japanese, Portuguese, Simplified Chinese, Traditional Chinese, Swedish, Russian, Finnish, Polish, Turkish, Arabic, Persian, Czech, Danish, Hungarian, Romanian, Slovenian, Croatian, Greek, Lithuanian, Estonian, Latvian, Thai, Portuguese (Brazil), Indonesian, Vietnamese

CONNECTIONS

Digital Input	1 x HDMI
Computer Input	2 x 15-pin Mini D-sub
Computer Output	1 x 15-pin Mini D-sub
Video Input	1 x RCA Jack (for composite) 1 x S-Video Jack
Audio Input	2 x Component D-sub (shared with analogue RGB) 2 x Stereo Mini Jack 1 x pair RCA (L/R) 1 x Microphone Jack
Audio Output	1 x pair RCA (L/R)
Control	1 x 9-pin D-sub for RS232 control
USB	1 x USB type A for PC-less presentation and optional wireless pen tablet 1 x USB type B for mouse control
Wired network	1 x RJ-45

POWER

Power Supply	AC100-120V/220-240V, auto switching
Power Consumption	300 W
Power Consumption in Standby	<0.3W

PHYSICAL

Dimensions (W x H x D)	345 x 85 x 303mm (excluding feet and extrusions when mirror is closed)
Weight	3.8Kg
Noise Level	35dB (Normal)/29dB (Eco)
Air Filter	Hybrid

MISCELLANEOUS

Lamp indicator light, Power light, Ceiling mount image, Rear projection image, Serial number label on side

CERTIFICATION

*UL60950-1/C-UL, FCC Part 15 Class A, CE, AS/NZS CISPR22 Class A

ACCESSORIES SUPPLIED

Remote control with batteries, RGB cable, power cord, cable cover, security label, user manual (detail & concise), Wall mount (HAS-K250)

OPTIONAL ACCESSORIES

Replacement lamp	DT01181
Table top stand	TT-251

WARRANTY

Projector warranty	3 Years
Lamp warranty	6 Months**



info@hitachistarboard.be
www.hitachistarboard.be

HITACHI
Inspire the Next